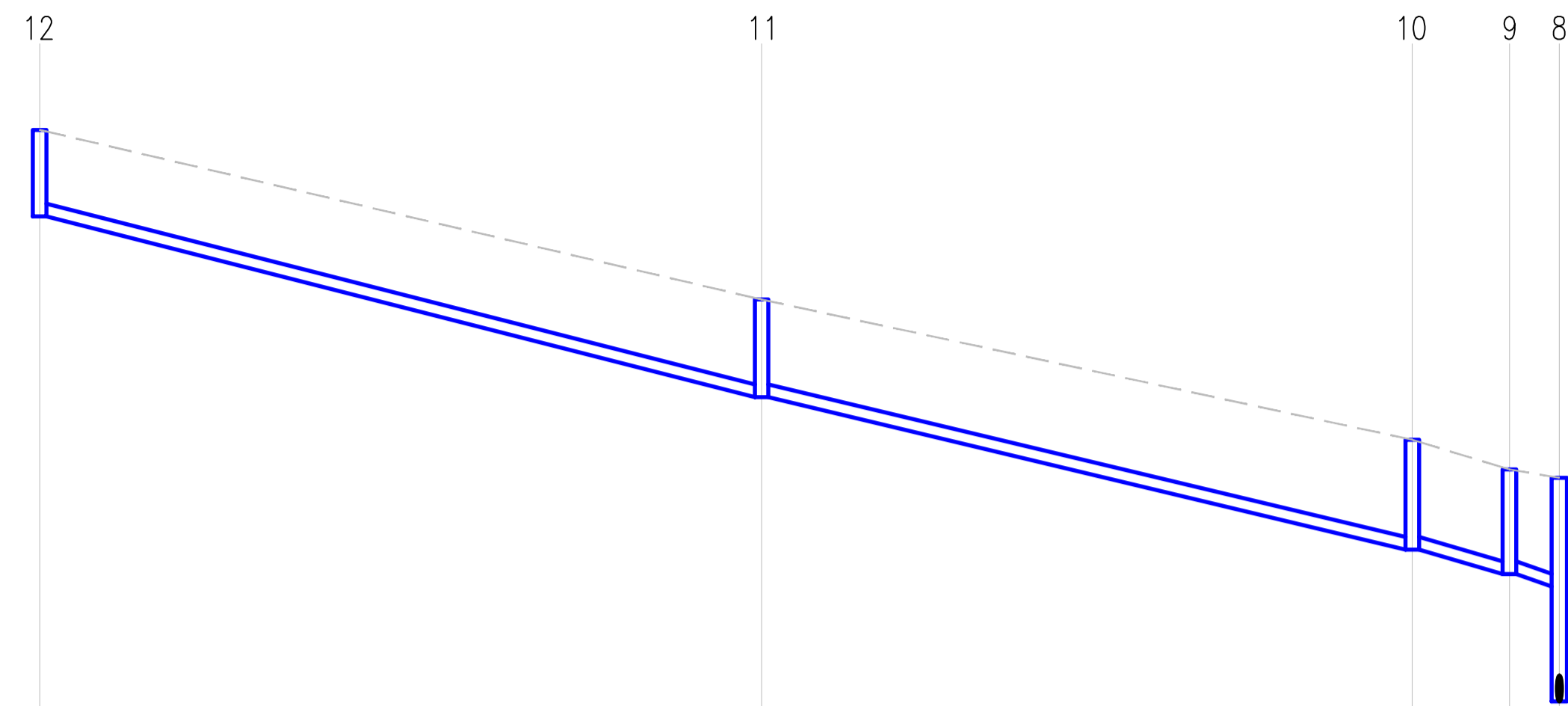


NOTES:

- DO NOT SCALE. USE FIGURED DIMENSIONS ONLY.
- THIS DRAWING IS TO BE READ IN CONJUNCTION WITH ALL OTHER RELEVANT ARCHITECTURAL AND ENGINEERING DRAWINGS.

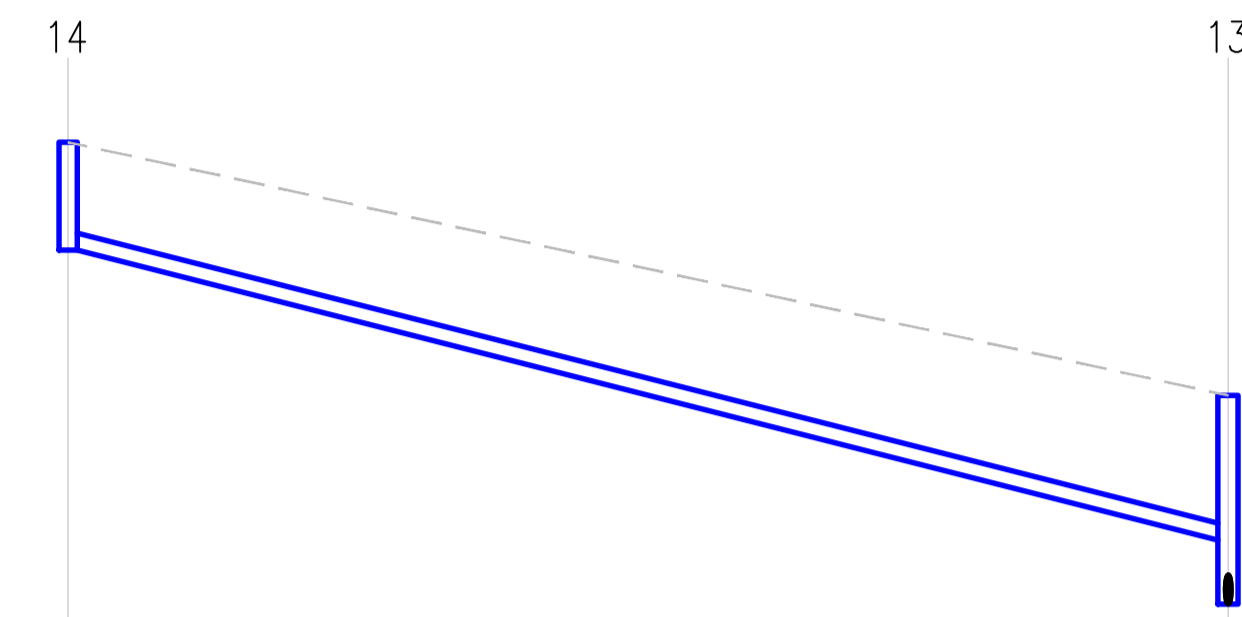
ALL TRENCHES IN EXPOSED ROCK TO BE LINED WITH LIQUID BITUMEN SPRAY IMMEDIATELY AFTER EXPOSURE.



Datum = 8.0

Link Name	12	11	10	9
Section Type	225mm	225mm	225mm	225mm
Slope	1:20.0	1:21.3	1:19.9	1:20.0
Cover Level	100.480	97.480	95.000	94.475
Invert Level	98.950	95.755	93.056	92.624
Length	63.894	57.583	8.5994	4.04

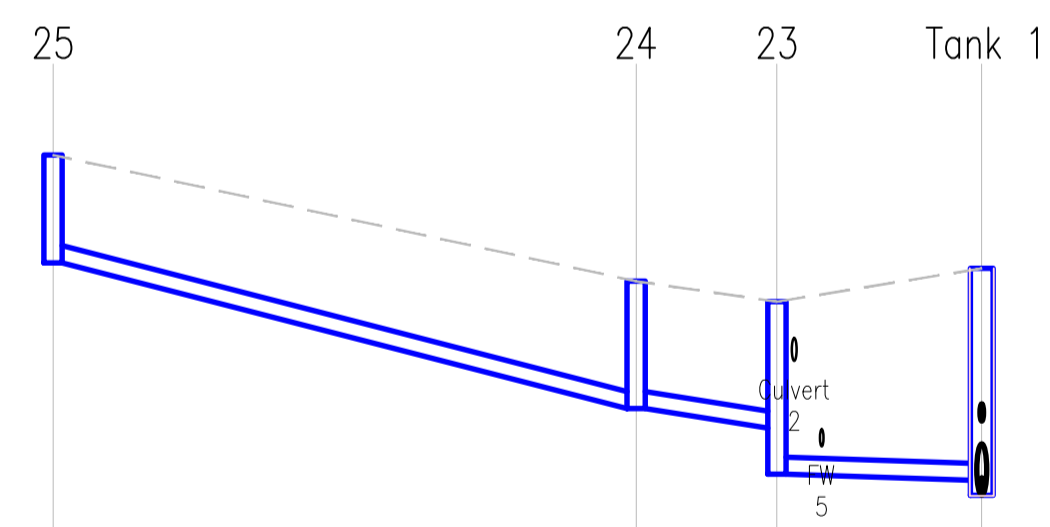
Horizontal Scale 1:500
Vertical Scale 1:100



Datum = 8.0

Link Name	14	13
Section Type	225mm	225mm
Slope	1:20.0	
Cover Level	96.888	93.540
Invert Level	95.463	91.627
Length	76.715	

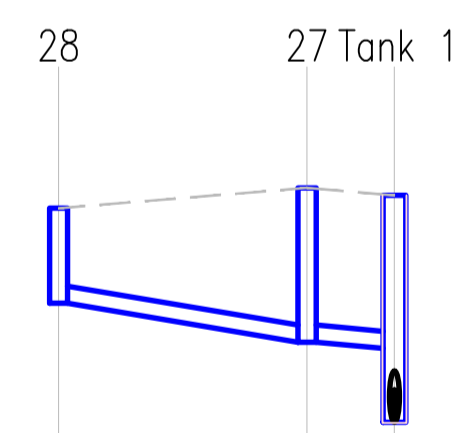
Horizontal Scale 1:500
Vertical Scale 1:100



Datum = 8.0

Link Name	25	24	23	Tank 1
Section Type	225mm	225mm	225mm	
Slope	1:20.0	1:36.2	1:169.3	
Cover Level	94.800	93.130	92.860	93.300
Invert Level	93.375	91.446	91.189	90.500
Length	38.573	9.306	13.548	

Horizontal Scale 1:500
Vertical Scale 1:100



Datum = 8.0

Link Name	28	27	Tank 1
Section Type	225mm	225mm	
Slope	1:31.9	1:70.5	
Cover Level	93.131	93.400	93.300
Invert Level	91.875	91.360	91.278
Length	16.429	5.782	

Horizontal Scale 1:500
Vertical Scale 1:100

REFER TO DRAWING 21-111-P020-P023 FOR THE PLAN VIEW OF THE DRAINAGE LAYOUT

REV.	DATE	AMENDMENT	DRN	APPD
-	02/08/22	ISSUED FOR PLANNING	MS	EC

STATUS **FOR PLANNING ONLY**

Waterman Moylan
Engineering Consultants

BLOCK 8, EASTPOINT BUSINESS PARK, ALFIE BYRNE ROAD,
DUBLIN D03 H3F4 IRELAND. Tel: (01) 664 8900
Email: info@waterman-moylan.ie www.waterman-moylan.ie

CLIENT	GRAFTON ISSUER DAC
ARCHITECT	OMP ARCHITECTS
PROJECT	RESIDENTIAL DEVELOPMENT AT CARRICMINES GREAT, GLENAMUCK ROAD SOUTH DUBLIN 18

TITLE
SURFACE WATER LONG SECTIONS SHEET - 2 OF 2

DRAWN	DESIGNED	APPROVED	DATE
MS	LRG	EC	JULY 2022
SCALE	JOB NO.	DRG. NO.	REVISION
AS SHOWN	21-111	P043	