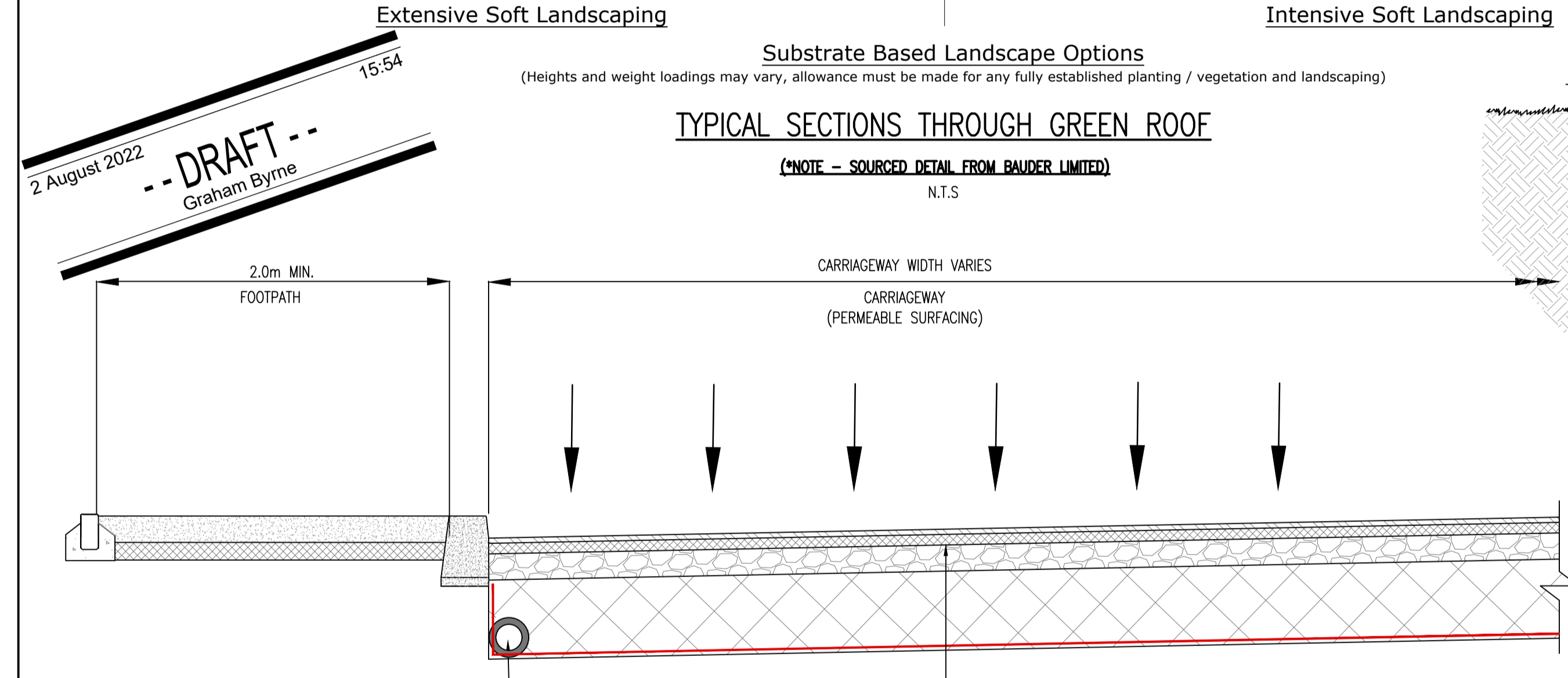
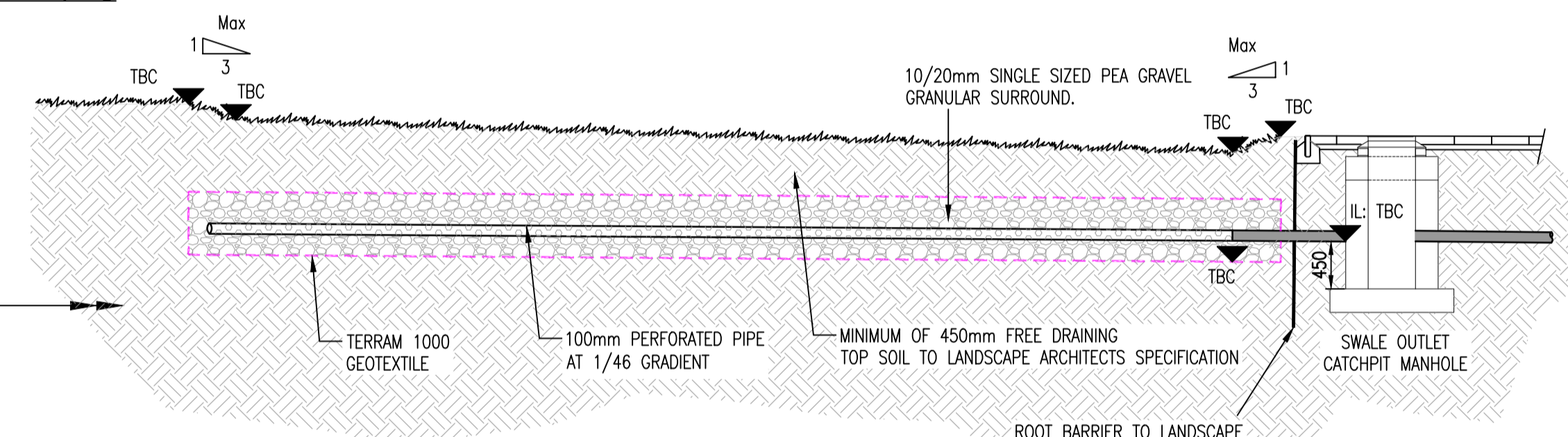


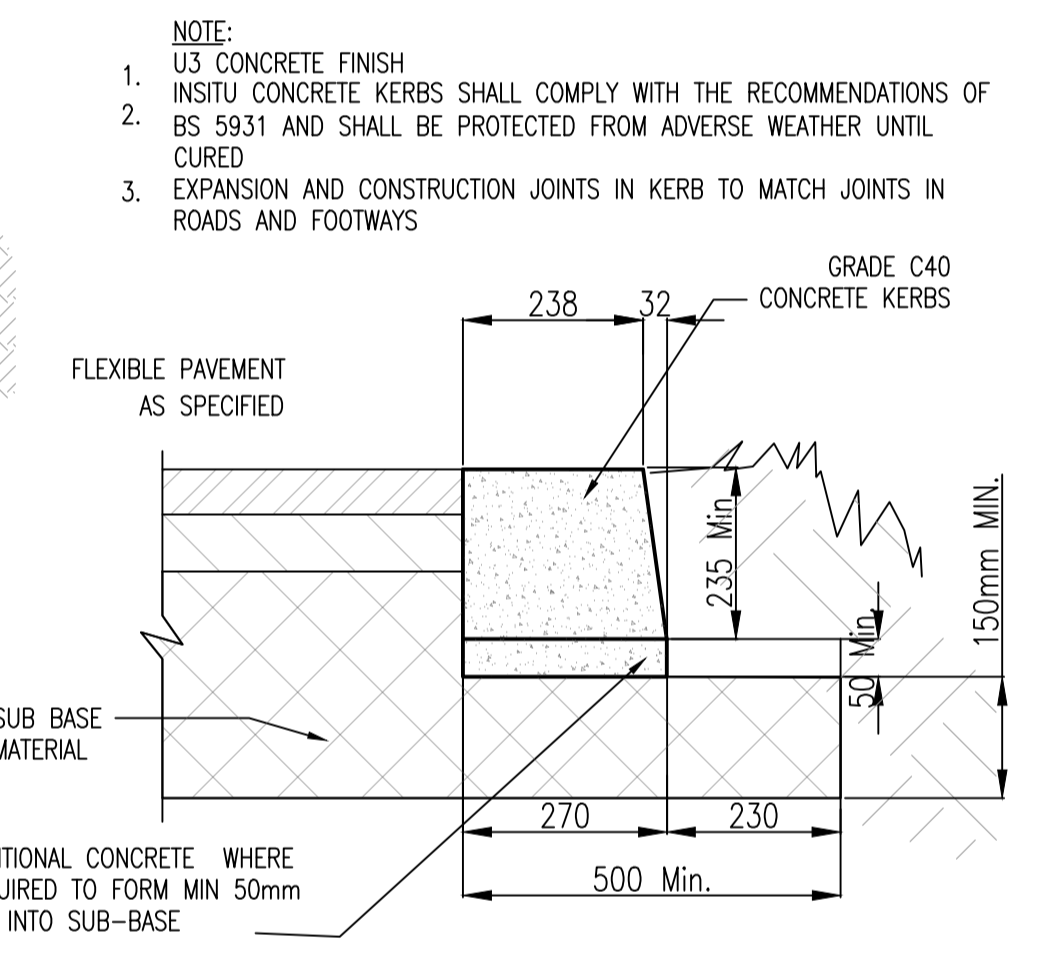
TYPICAL SECTION THROUGH PROPOSED SWALES
SCALE 1:10 @A1



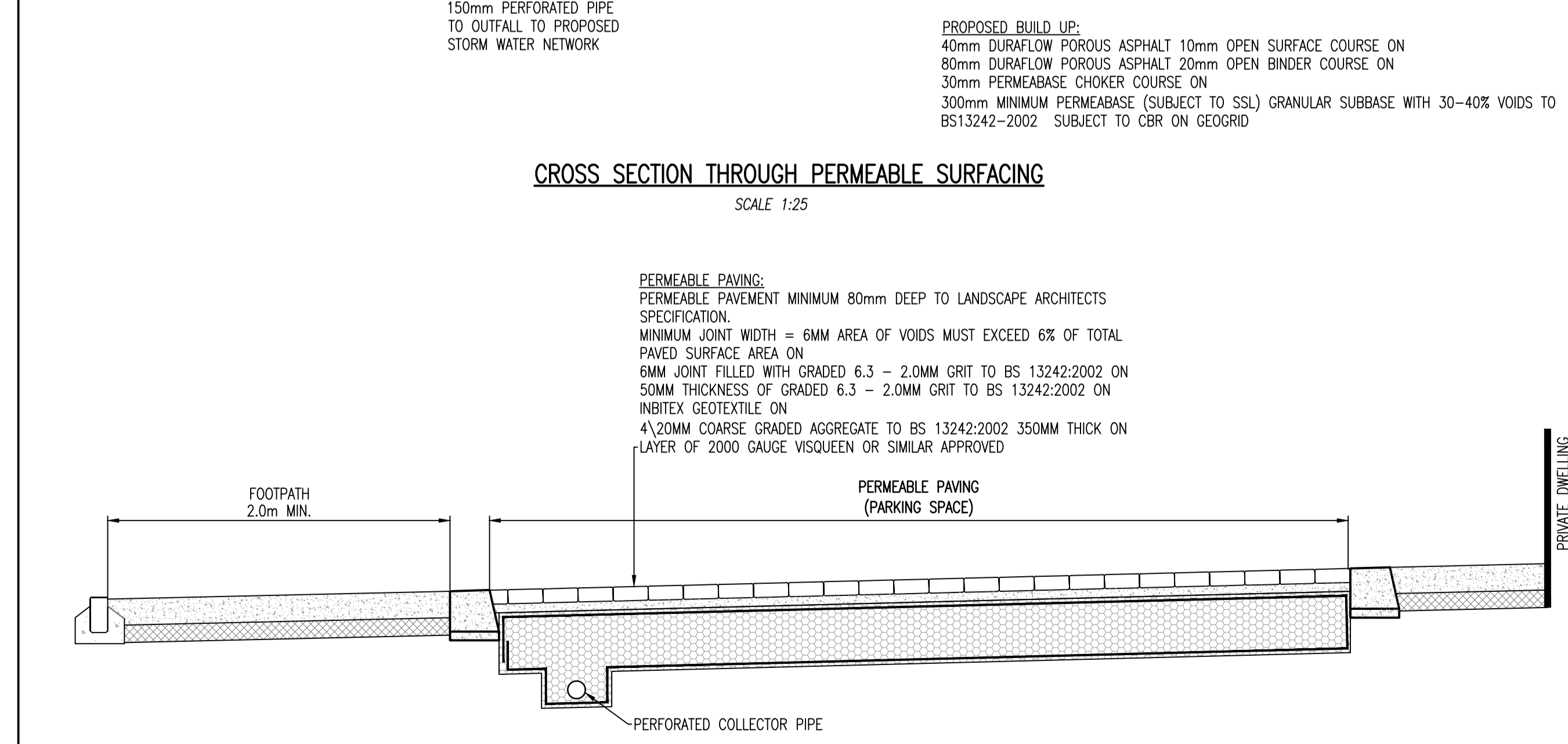
TYPICAL SECTIONS THROUGH GREEN ROOF
SCALE 1:25



TYPICAL SWALE CROSS SECTION
SCALE 1:50 @A1

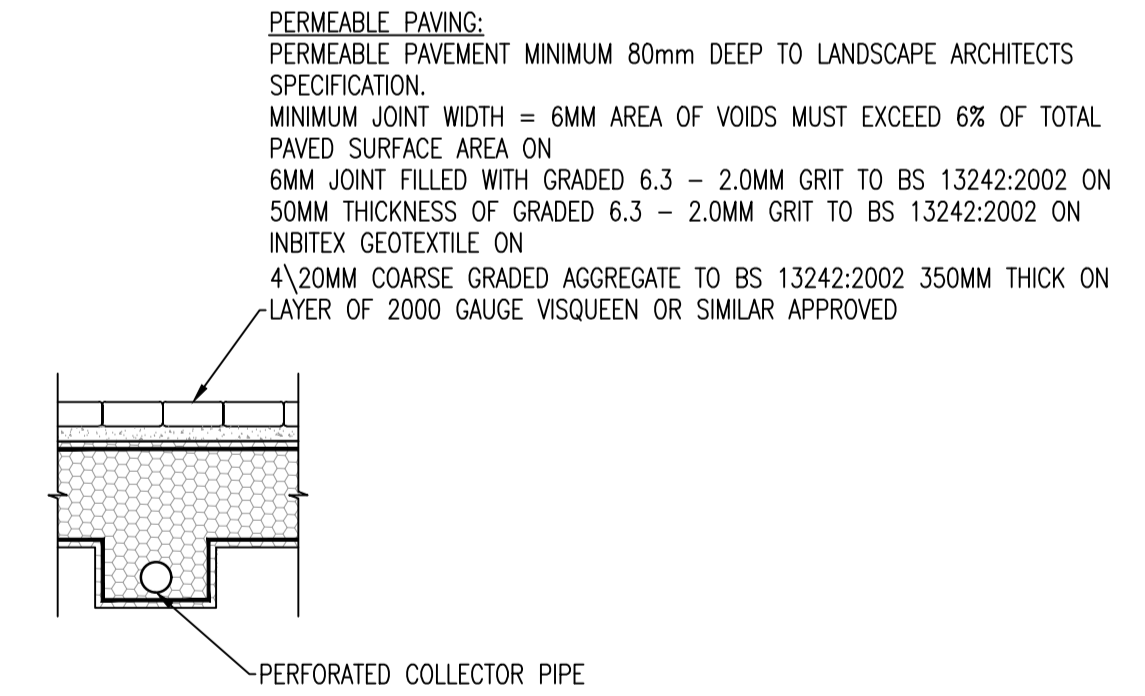


TYPICAL IN SITU CONCRETE KERB
DETAIL AT SWALE LOCATIONS
SCALE 1:10 @A1

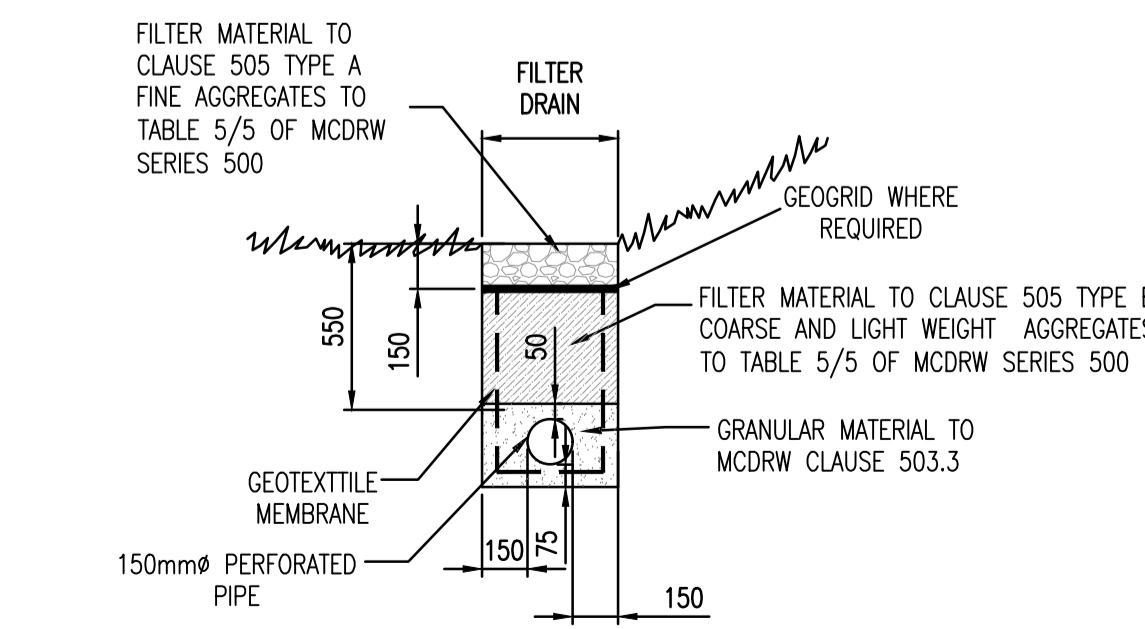


CROSS SECTION THROUGH PERMEABLE SURFACING
SCALE 1:25

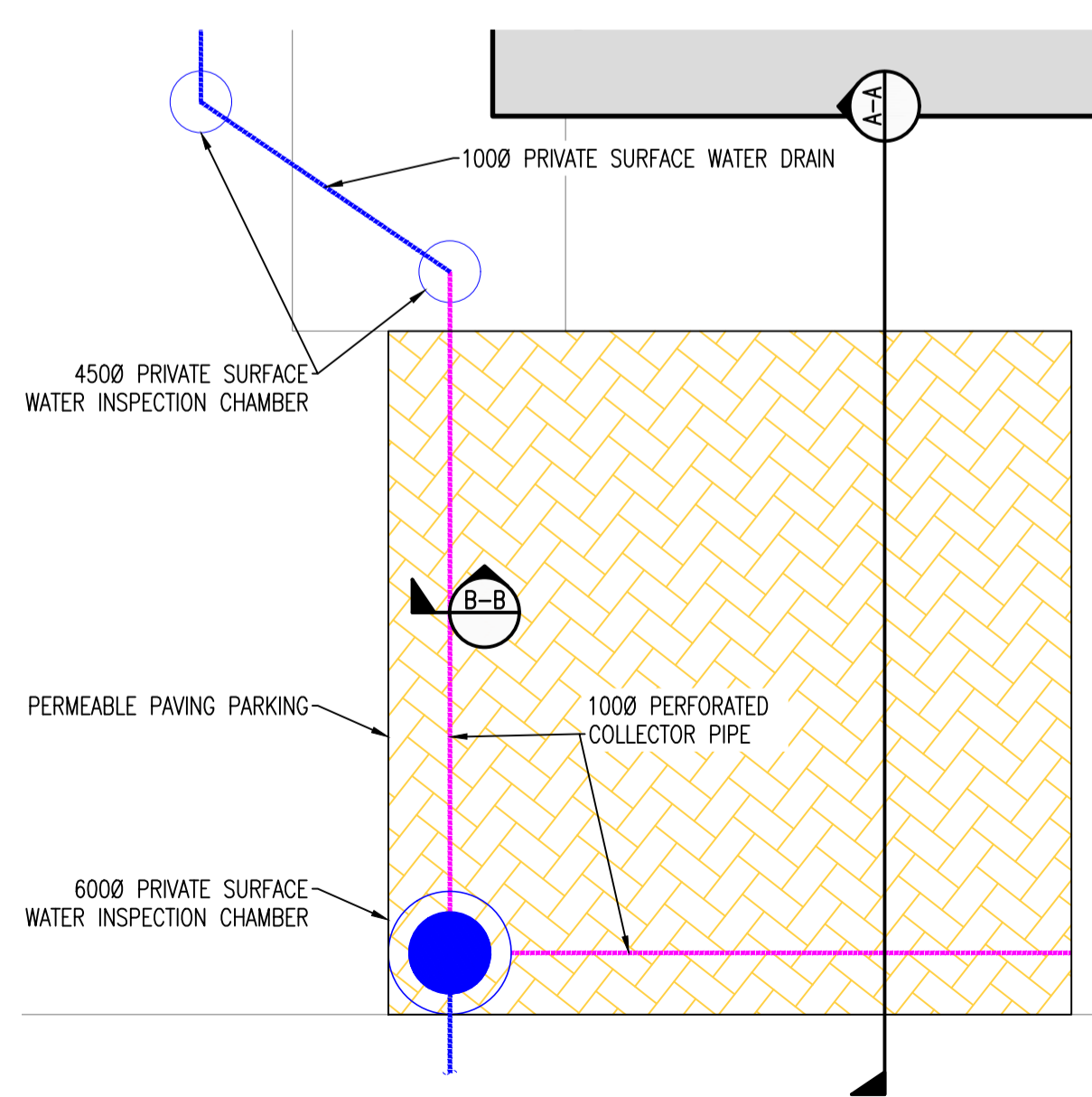
SECTION A-A - THROUGH PERMEABLE PAVING
SCALE 1:25



SECTION B-B - PERFORATED PIPE DETAIL
SCALE 1:25



TYPICAL SECTION THROUGH PROPOSED LAND DRAIN
SCALE 1:25 @A1



SECTION LOCATION PLAN - PERMEABLE PAVING PARKING
SCALE 1:50

02/08/22	ISSUED FOR PLANNING	MS	JG
REV. DATE	AMENDMENT	DRN	APPD

STATUS **FOR PLANNING ONLY
NOT FOR CONSTRUCTION**

Waterman Moylan
Engineering Consultants
BLOCK S, EASTPOINT BUSINESS PARK, ALFIE BYRNE ROAD,
DUBLIN D03 H3F4 IRELAND. Tel: (01) 664 8900
Email: info@waterman-moylan.ie www.waterman-moylan.ie

CLIENT	GRAFTON ISSUER DAC		
ARCHITECT	OMP ARCHITECTS		
PROJECT	RESIDENTIAL DEVELOPMENT AT CARRICKMINES GREAT GLENAMUCK ROAD SOUTH DUBLIN 18		
TITLE	SUDS DETAILS		
DRAWN	DESIGNED	APPROVED	DATE
NFA	LRG	JG	JULY 2022
SCALE	DRG. NO.	DRG. NO.	REVISION
AS SHOWN @A1	21-111	P032	