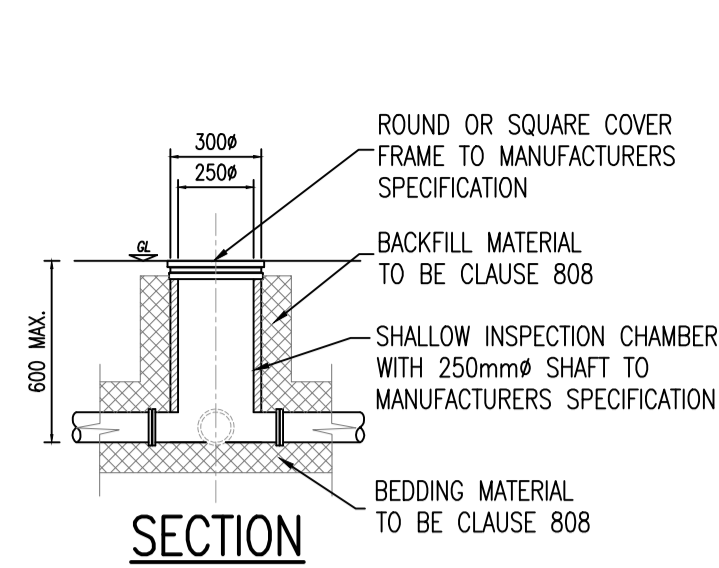
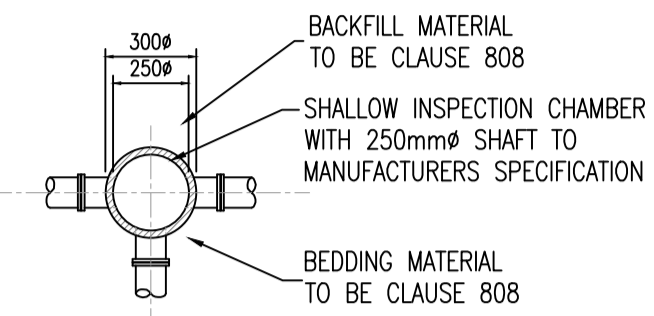


NOTES:

- DO NOT SCALE. USE FIGURED DIMENSIONS ONLY.
- THIS DRAWING IS TO BE READ IN CONJUNCTION WITH ALL OTHER RELEVANT ARCHITECTURAL AND ENGINEERING DRAWINGS.
- ALL WORKS TO BE CARRIED OUT IN ACCORDANCE WITH THE REQUIREMENTS OF THE BUILDING REGULATIONS 2010 SECTION H "DRAINAGE AND WASTE WATER DISPOSAL" AND WITH LOCAL AUTHORITY REQUIREMENTS
- ANY ALTERNATIVE DETAILS PROPOSED BY THE CONTRACTOR SHALL BE SUBMITTED TO THE ENGINEER AT LEAST 2 WEEKS PRIOR TO THE CONSTRUCTION OF THE DRAIN
- MINIMUM SPACING OF ACCESS POINTS TO BE IN ACCORDANCE WITH BUILDING REGULATIONS TECHNICAL GUIDANCE DOCUMENT SECTION 4 TABLE 10
- DETAILS OF MATERIALS FOR CONSTRUCTION REFER TO BUILDING REGULATIONS TECHNICAL GUIDANCE DOCUMENT SECTION 4 TABLE 11
- BACKFILL OF ALL INSPECTION CHAMBERS TO BE 808 BACKFILL IN 200mm LAYERS
- INSTALLATION OF PLASTIC PIPES AND FITTINGS, GULLIES, AJS ETC TO BE STRICTLY IN ACCORDANCE WITH MANUFACTURERS INSTRUCTIONS

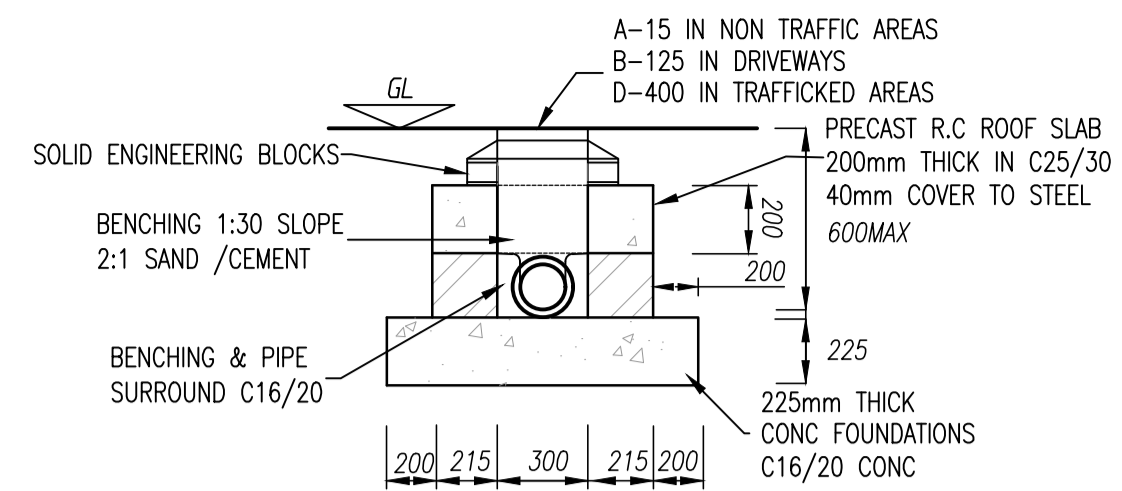


SECTION

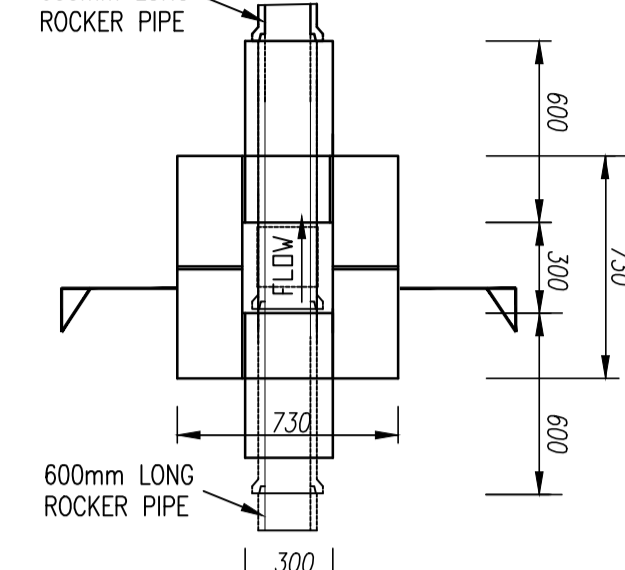


PLAN

**CIRCULAR INSPECTION CHAMBER WHERE INVERT IS 0.6m OR LESS BUILDING REGULATIONS TGD SECTION H TABLE 9**  
SCALE 1:25

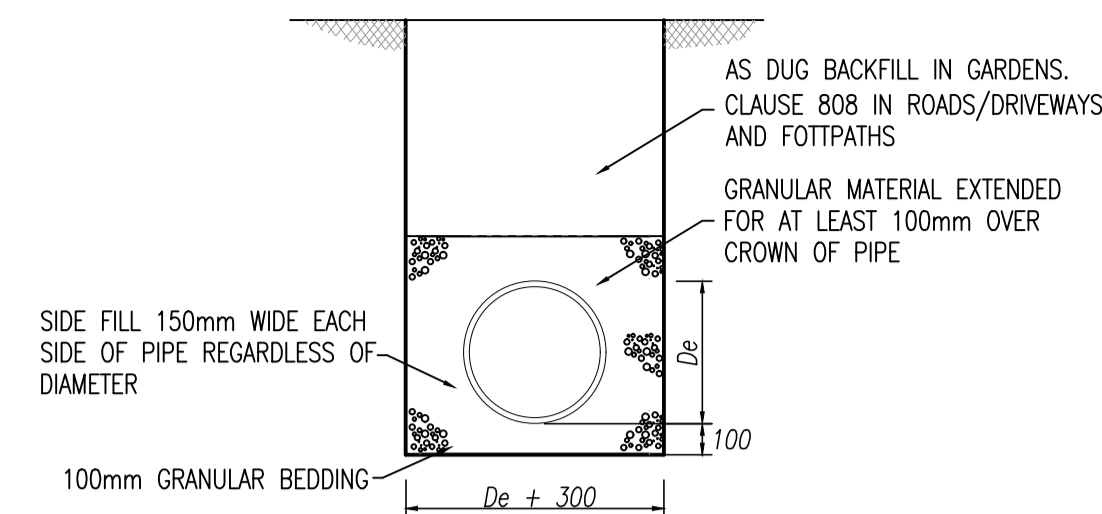


SECTION

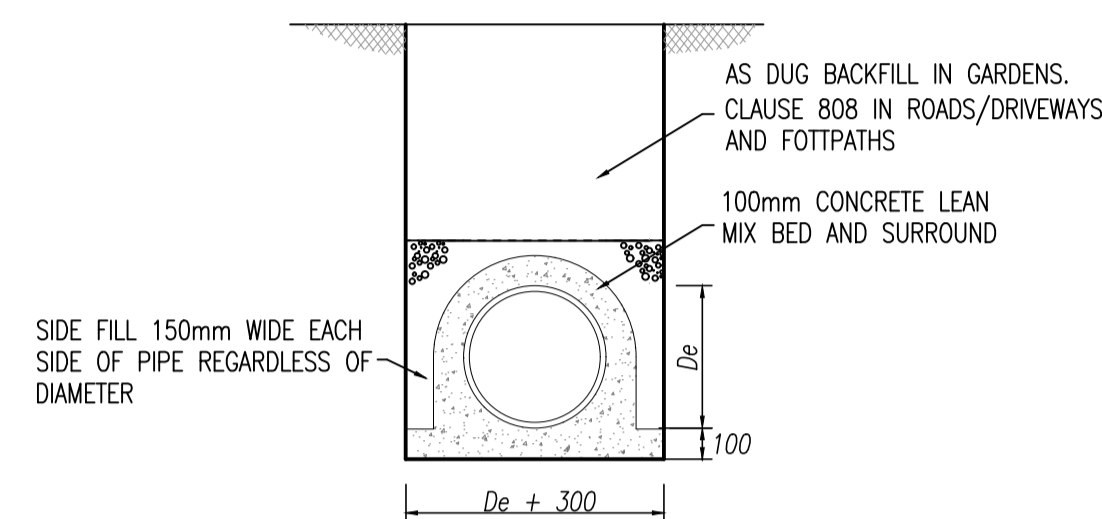


PLAN

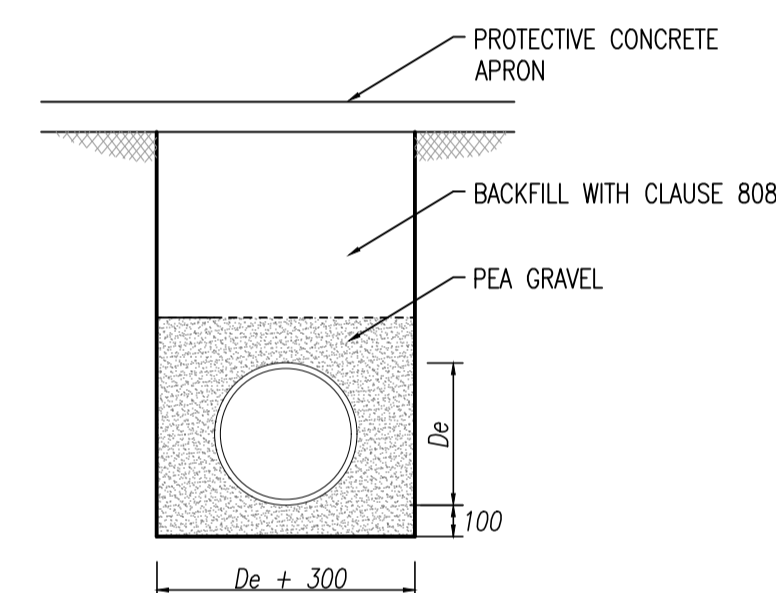
**INSPECTION CHAMBER WHERE INVERT IS 0.6m OR LESS BUILDING REGULATIONS TGD SECTION H TABLE 9**  
SCALE 1:25



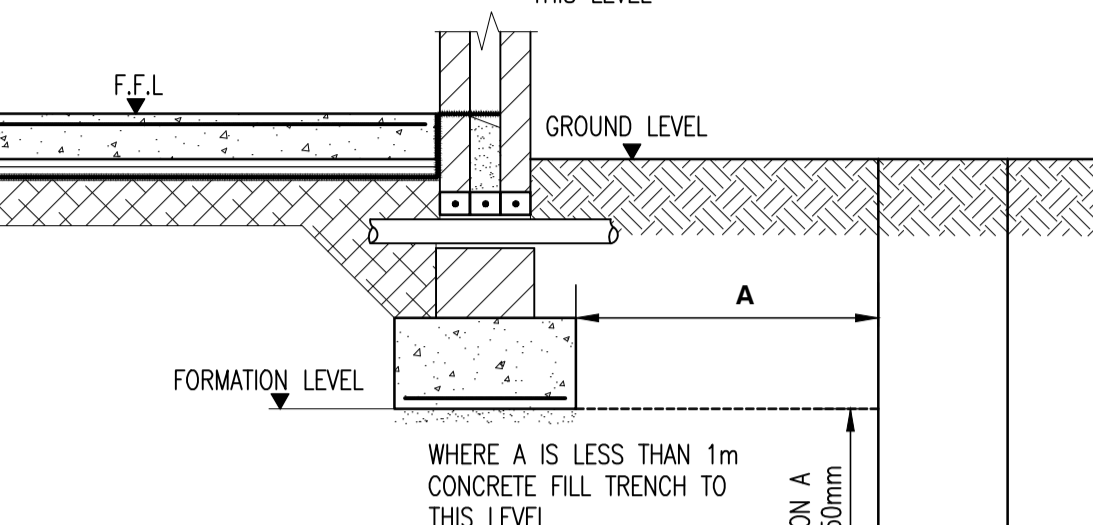
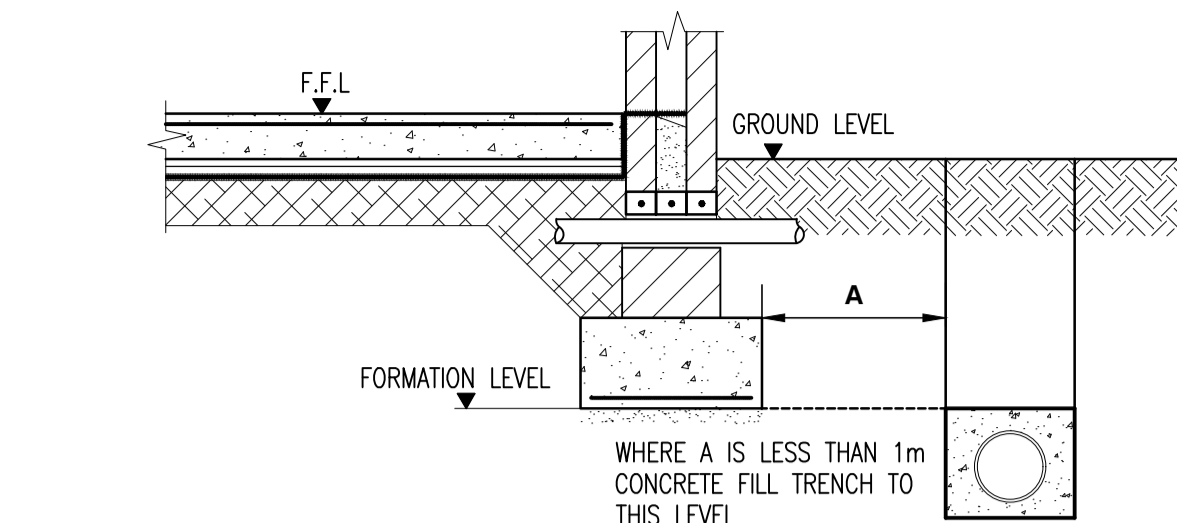
**PIPES BEDDED IN GRANULAR MATERIAL COVER > 0.9m IN ROADS COVER > 0.6m IN GARDENS**  
SCALE 1:25



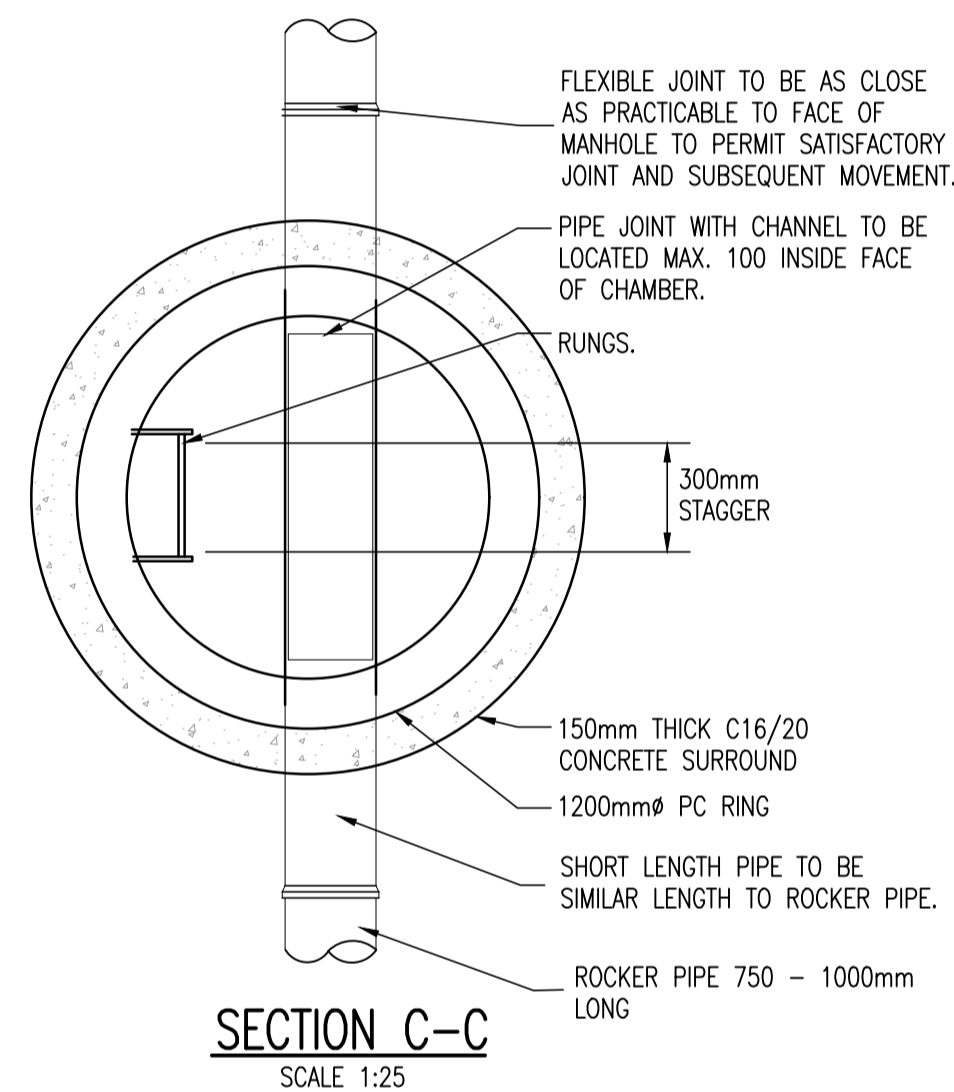
**PIPES BEDDED IN GRANULAR MATERIAL COVER < 0.9m IN ROADS COVER < 0.6m IN GARDENS**  
SCALE 1:25



**PIPES BEDDING ALTERNATIVE DETAIL COVER < 0.9m IN ROADS COVER < 0.6m IN GARDENS**  
SCALE 1:25

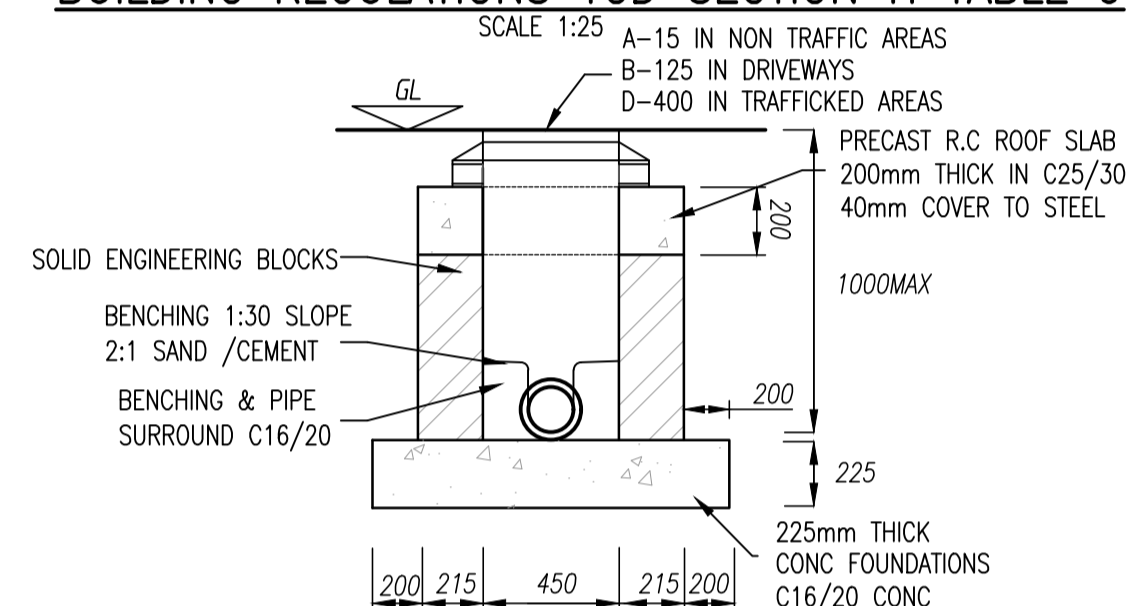


**TYPICAL DETAIL WHERE PIPE RUNS NEAR BUILDINGS**  
SCALE 1:25

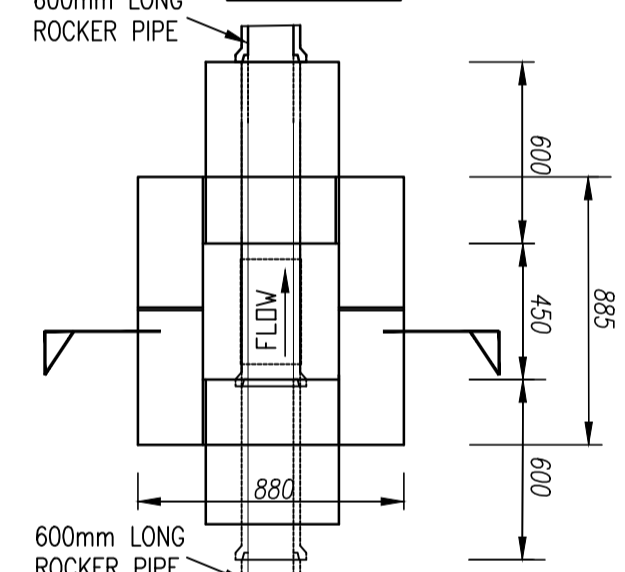


SECTION C-C

SCALE 1:25

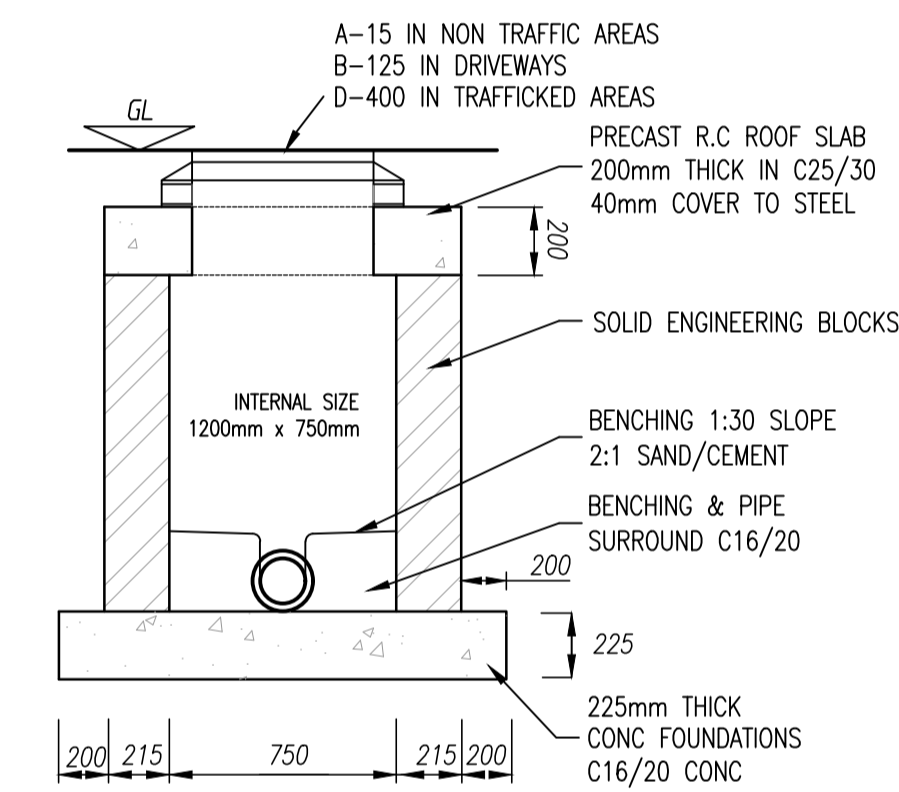


SECTION

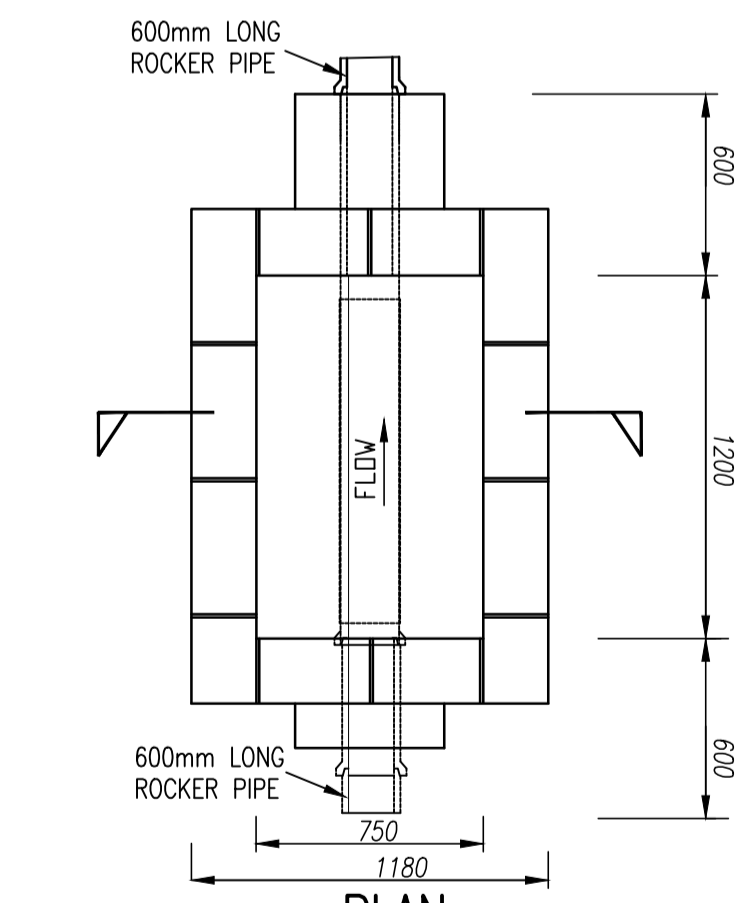


PLAN

**INSPECTION CHAMBER WHERE INVERT IS 1m OR LESS BUILDING REGULATIONS TGD SECTION H TABLE 9**  
SCALE 1:25

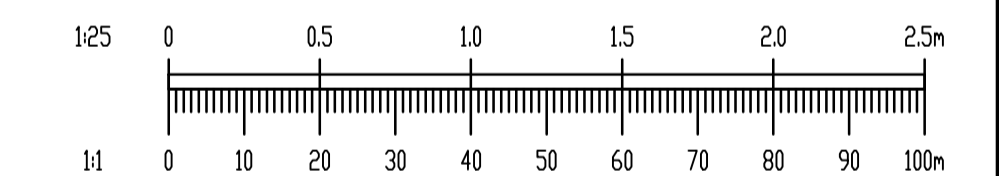


SECTION



PLAN

**INSPECTION CHAMBER DEPTH TO INVERT IS BETWEEN 1m AND 2.7m BUILDING REGULATIONS TGD SECTION H TABLE 9**  
SCALE 1:25



ISSUED FOR PLANNING	MS	JG
REV. DATE	AMENDMENT	DRN APPD

STATUS: **FOR PLANNING ONLY NOT FOR CONSTRUCTION**

**Waterman Moylan**  
Engineering Consultants  
BLOCK 8, EASTPOINT BUSINESS PARK, ALFIE BYRNE ROAD, DUBLIN D03 H3F4 IRELAND.  
Tel: (01) 664 8900 Fax: (01) 661 3618  
Email: info@waterman-moylan.ie www.waterman-moylan.ie

CLIENT: GRAFTON ISSUER DAC  
ARCHITECT: OMP ARCHITECTS

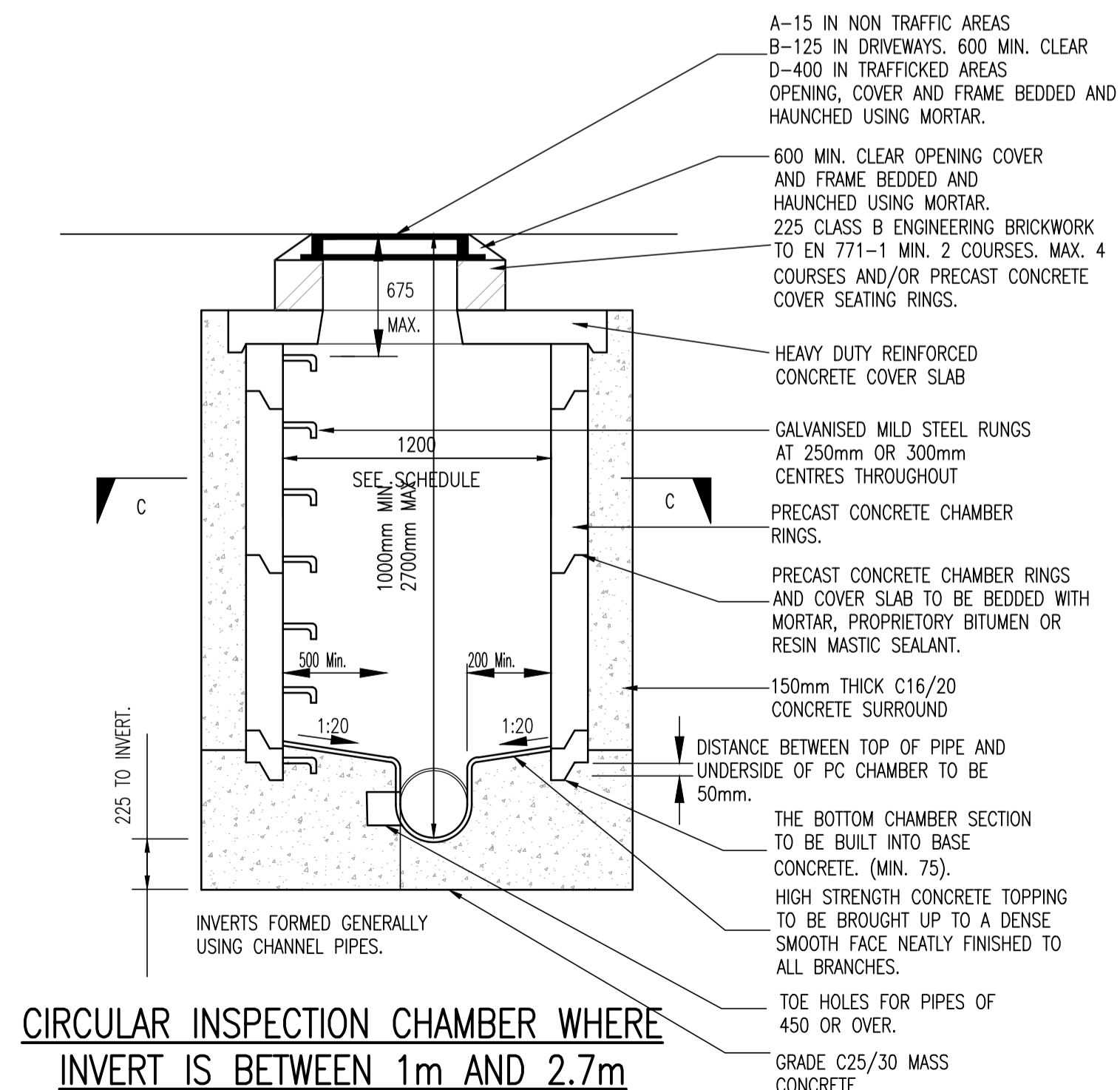
PROJECT: RESIDENTIAL DEVELOPMENT AT CARRICKMINES GREAT GLENAMUCK ROAD SOUTH DUBLIN 18

TITLE: PRIVATE SURFACE WATER DRAINAGE DETAILS SHEET 1 OF 2

DRAWN: NFA	DESIGNED: LRG	APPROVED: JG	DATE: JULY 2022
SCALE: 1:25 @A1	JOB NO.: 21-111	DRG. NO.: P026	REVISION:

Type	Depth to (m)	Internal Sizes		Cover Sizes	
		length x width (mm x mm)	Circular (mm)	length x width (mm x mm)	Circular (mm)
Rodding eye					
Access Fitting					
small	0.6 or less	150 x 100	150	150 x 100	150
large		300 x 100	-	300 x 100	-
Inspection Chamber	0.6 or less	300 x 300	190*	300 x 300	190*
	1.0 or less	450 x 450	450	450 x 450	450**
Manhole	1.5 or less	1200 x 750	1000	600 x 600	600
	over 1.5	1200 x 750	1200	600 x 600	600
	over 2.7	1200 x 840	1200	600 x 600	600
Shaft	over 2.7	900 x 840	900	600 x 600	600

Note:  
\* For clayware or plastics may be reduced to 430mm in order to provide support for cover and frame  
\*\* Drains up to 150mm



**CIRCULAR INSPECTION CHAMBER WHERE INVERT IS BETWEEN 1m AND 2.7m BUILDING REGULATIONS TGD SECTION H TABLE 9**  
SCALE 1:25